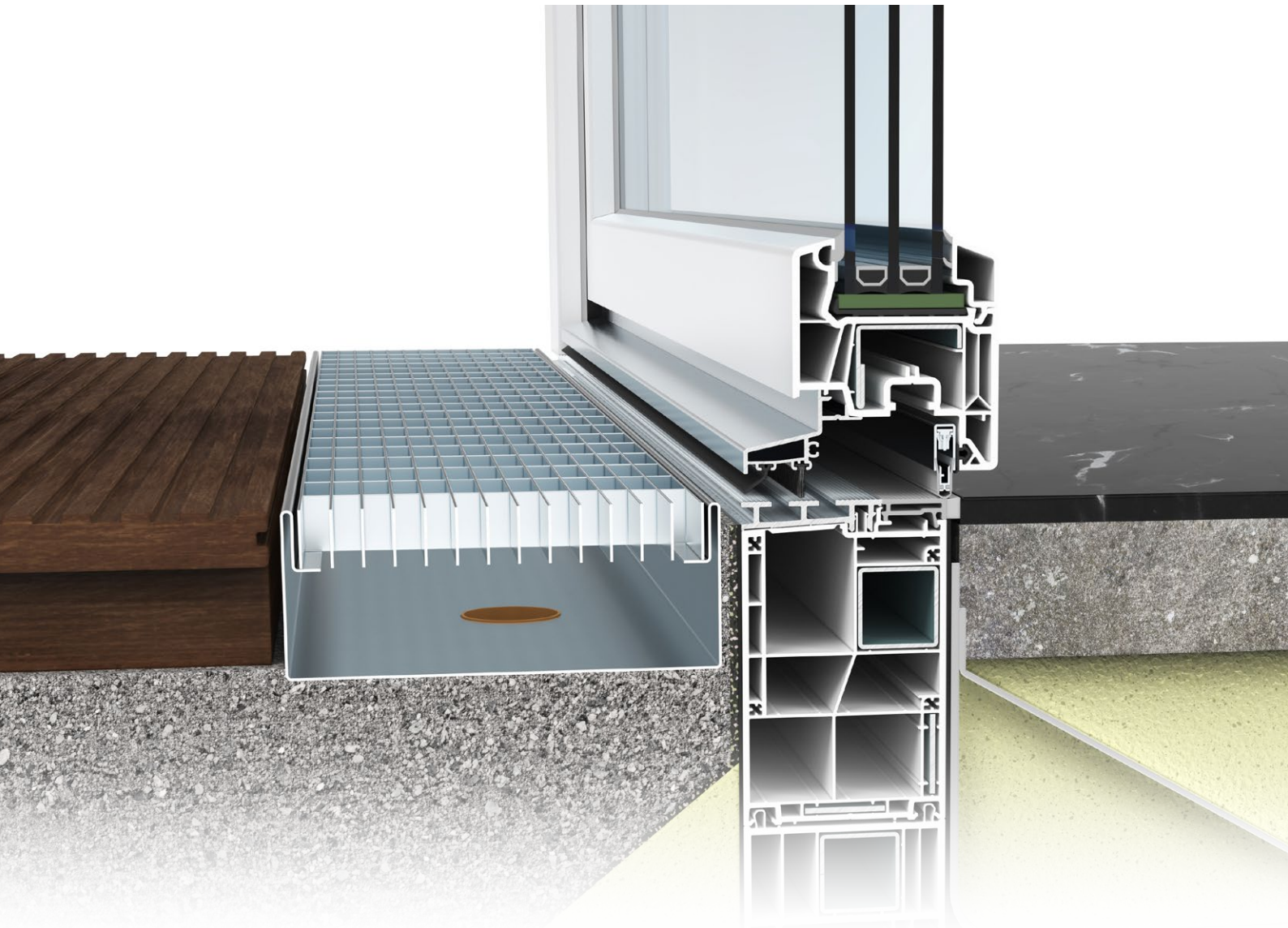


# VEKA threshold

The system solution for  
new builds and modernisations



The Quality Profile  
★★★★★★

## The efficient and reliable way to create a high-quality threshold

With the VEKA threshold, VEKA provides fabricators with an innovative system that enables them to meet all the requirements in terms of technically and functionally sophisticated thresholds. As an entirely new development, the threshold concept in particular takes into account the latest developments in building technology.

Consequently, the new threshold system has been designed with the use of liquid sealants and sealing membranes for construction waterproofing in mind from the outset. The uninterrupted PVC-U material and the offset-free positioning of the threshold and window frame facilitate fabrication as well as the achieving of a high degree of imperviousness in the area of construction waterproofing.

In addition, the system includes a special solution for barrier-free thresholds in accordance with DIN 18040: thresholds that are entirely level with the floor can be produced with just a few additional parts. As a result, even strict building accessibility specifications can be complied with.

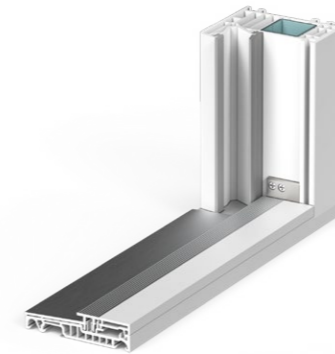
The focus during development of the VEKA threshold was also on the need for economical processing. Thanks to the cross-system concept, thresholds can be produced in VEKA's SOFTLINE 76, SOFTLINE 82 and VEKA AluConnect systems, while the high degree of compatibility reduces the number of different parts. Other advantages include the easy replaceability of the threshold components in the event of damage, for example during construction, and the high degree of flexibility regarding the choice of connecting profiles.

### Valuable advantages for VEKA partners

- One uniform system for various threshold versions and profile systems
- Reliable construction waterproofing is easily realised
- An entirely barrier-free threshold can be realised
- Reduced part variety thanks to a high degree of compatibility
- No direct drainage into a channel, resulting in decoupling from other trades

## High-quality threshold solutions for any installation situation

20 mm threshold – 20 mm threshold height



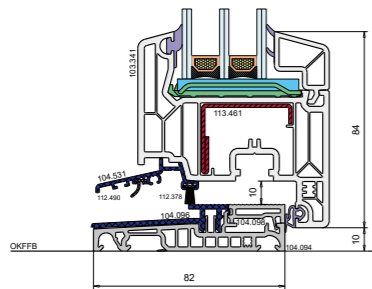
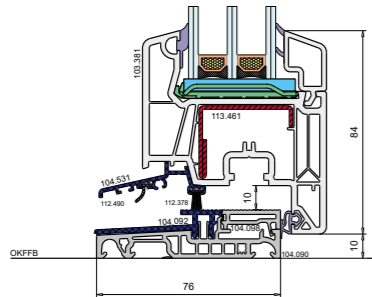
120 mm threshold – 20 mm threshold height



120 mm threshold – barrier-free



# VEKA 20/120 mm threshold for SOFTLINE 76 and SOFTLINE 82



## 20 mm threshold

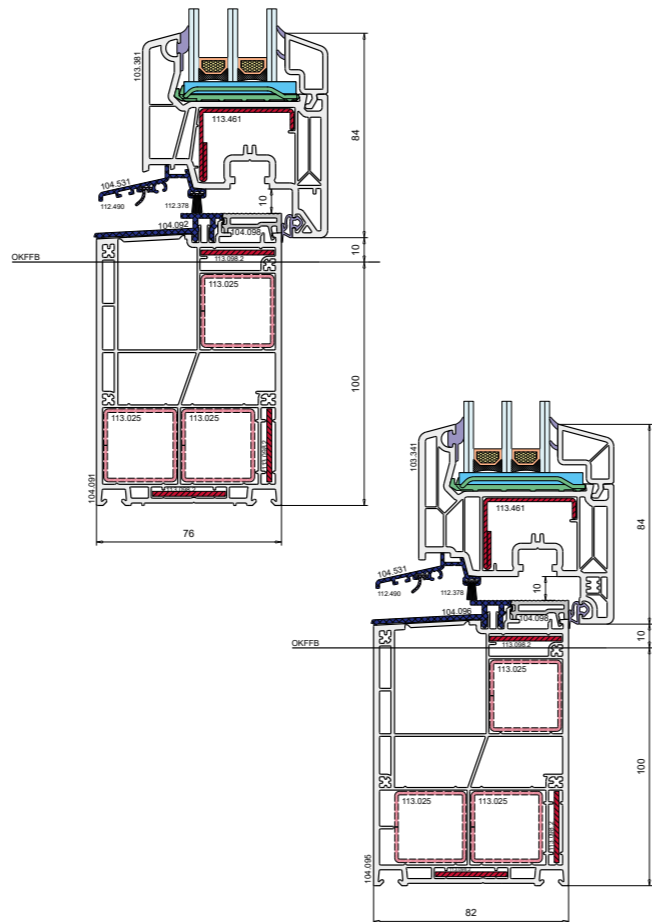
With its mounting height of 20 mm, this versatile solution is especially suited to the modernisation of old buildings. If the threshold is mounted under the window frame, the installation height can be flexibly adapted to all the standard VEKA connecting profiles thanks to the uniform clip sections.

- 76 mm and 82 mm system installation depth
- 20 mm mounting height
- Light grey and black colour versions
- Doubling possible with extensions and connecting profiles for balconies

## 120 mm threshold

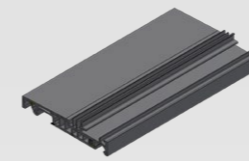
The high basic body of the 120 mm threshold offers an array of benefits. As it effectively represents a combination of a 20 mm threshold profile and an extension which is flush with the window frame, the stability of the construction as a whole is enhanced. In many cases, no additional extension is needed – but is nevertheless still an option. In addition, the various liquid sealant specifications can easily be met with the threshold as a surface of more than 50 mm without a change of material is available.

- 76 mm and 82 mm system installation depth
- 120 mm mounting height
- Light grey and black colour versions
- Doubling possible with system extensions
- Reinforcement with flat bars or square tubes allows for simple attachment with mounting brackets
- Liquid sealant specification met

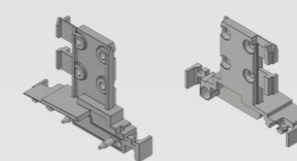


## The system solution for economical production

### 20 mm threshold

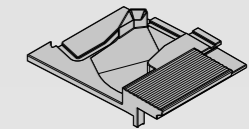


**Basic threshold body**  
76 mm installation depth: 104.090  
82 mm installation depth: 104.094



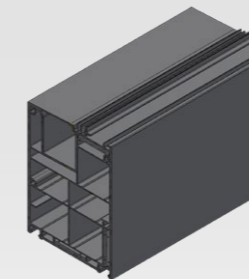
**20 mm PVC-U bracket connector**  
76 mm installation depth: 106.470  
82 mm installation depth: 106.474

### Both thresholds

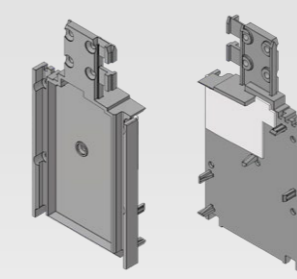


**AD/MD PVC-U sealing component**  
76 mm installation depth: 106.479  
82 mm installation depth: 106.480

### 120 mm threshold

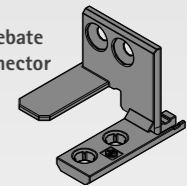


**Basic threshold body**  
76 mm installation depth: 104.091  
82 mm installation depth: 104.094

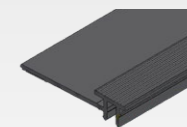


**120 mm PVC-U bracket connector**  
76 mm installation depth: 106.472  
82 mm installation depth: 106.476

### Universal rebate corner connector

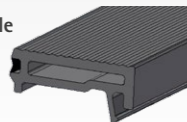


106.478



**Aluminium kick plate**  
76 mm installation depth: 104.092  
82 mm installation depth: 104.096

### Cover profile



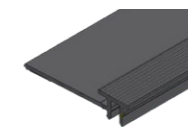
104.098

## Reversible kick plate

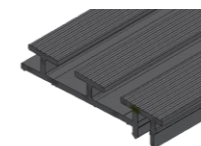
In all three versions of the VEKA threshold, the aluminium kick plate is clipped onto the basic threshold body. This means the aluminium profile can be very easily replaced should there be any damage during construction or use.

The kick plate also makes an impression in terms of time-saving fabrication. There is a different profile available for each system installation depth, which is cut straight between the overlaps. With the non-barrier-free thresholds, there is additionally no need for a drainage hole.

20/120 mm aluminium kick plate



Barrier-free aluminium kick plate



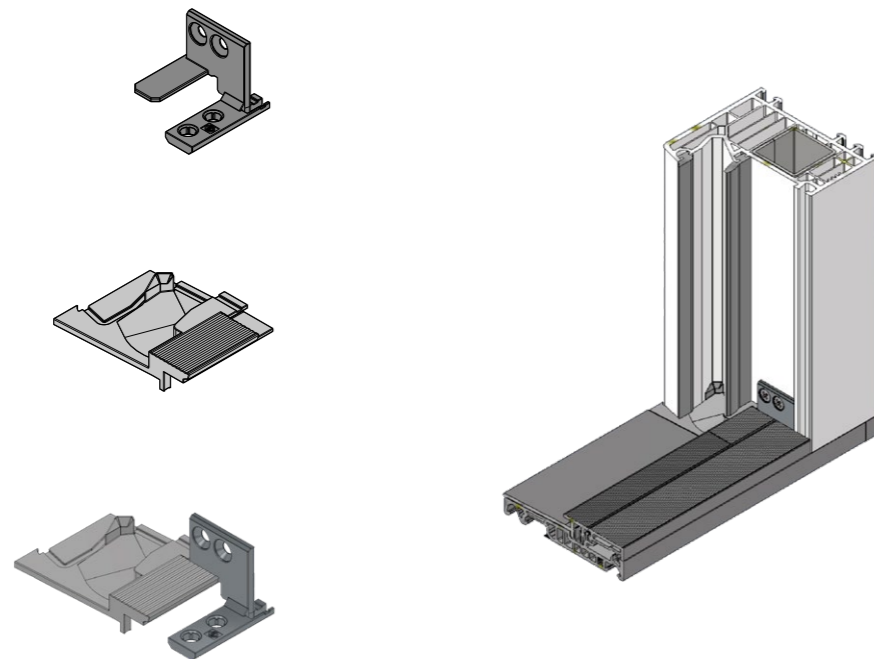
## Universal cover profile

The VEKA threshold cover is likewise designed with maximum assembly efficiency in mind. The same PVC-U cover profile is used irrespective of the threshold height and installation depth. The profile features a sealing lip for reliable sealing against the basic threshold body. Strike plates of 24 mm in depth and with a mounting height of 8 mm are needed for fabrication.

## Accessories for 20/120 mm thresholds in detail

### Connectors

The VEKA threshold system comprises specially constructed additional parts that allow a stable and visually attractive connection to be created between the window frame and the threshold. Thanks to their extensive compatibility, only a few different parts are needed for a large number of threshold versions and system installation depths.

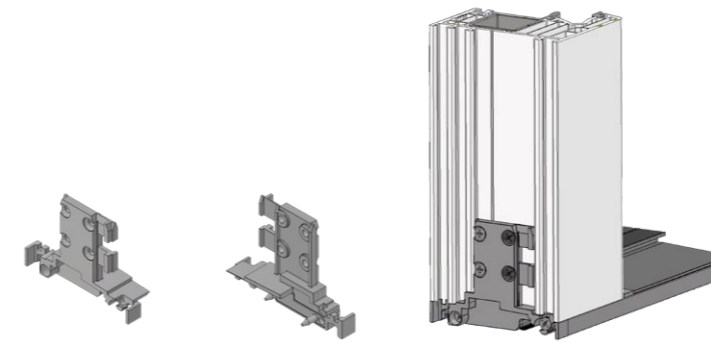


### Universal rebate corner connector

- Extremely sturdy connector made of die-cast zinc
- Universal: every system installation depth, AD and MD window frames, 20/120 mm and barrier-free thresholds
- Screw connection in the frame rebate and threshold

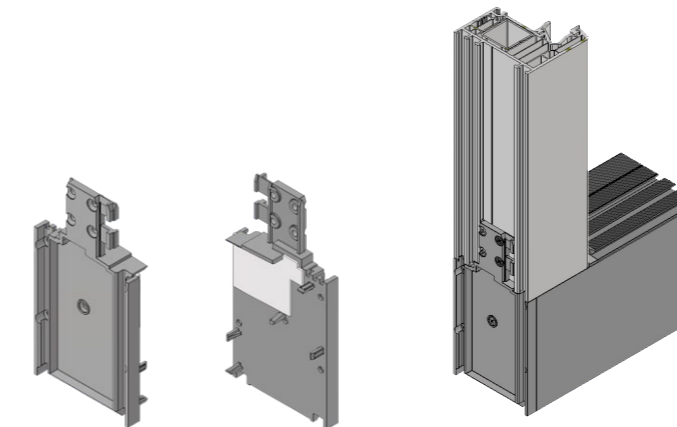
### PVC-U sealing component

- For use with window frames or mullions
- Installation depth-specific
- Light grey and black colour versions
- For use with AD and MD window frames, 20/120 mm and barrier-free thresholds
- Special recesses simplify sealing
- Flush finish with kick plate



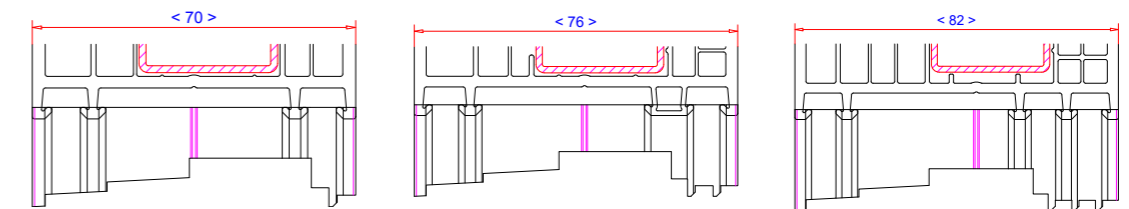
### 20 mm PVC-U bracket connector

- Installation depth-specific
- For two-way use with inward and outward opening doors
- Screw connection in the window frame reinforcement and threshold
- Recesses for extensions and connecting profiles
- Available in light grey and black



### 120 mm PVC-U bracket connector

- Installation depth-specific
- For two-way use with inward and outward opening doors
- Screw connection in the window frame reinforcement and threshold
- Recesses for extensions and connecting profiles
- For use with 20/120 mm and barrier-free thresholds
- Sealing plate for additional sealing

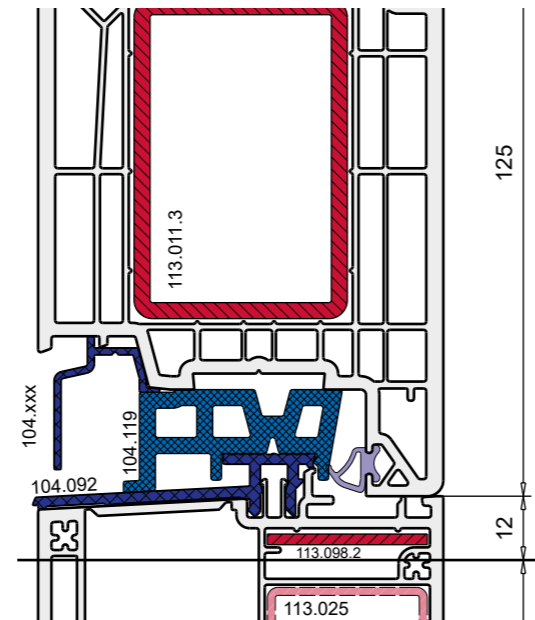


## Uniformly milled surfaces

One of the fabrication advantages of the VEKA threshold is the new milling for its installation under the window frame: the surfaces of the frame profiles are uniformly milled irrespective of the threshold height, threshold type, opening direction and system installation depth.

## Solutions for doors with a side part

The VEKA threshold system includes special construction solutions for doors with a side part. Technically and visually impressive results can therefore be achieved both with fixed sashes and with direct glazing on the threshold.



### Solution for side part with reduced viewing height

- EPDM spacer, can be shortened
- Installation depth-specific
- Use in combination with an aluminium weather bar for the sash
- For AD and MD systems
- No milling necessary
- Symmetrical view with sash possible
- Exterior sealing against the rebate seal

## Extension of the threshold with a kick plate

For use with roller shutter guides or for optimum adaptation to the installation situation, the new VEKA threshold can be extended with the five aluminium kick plate profiles in the familiar product

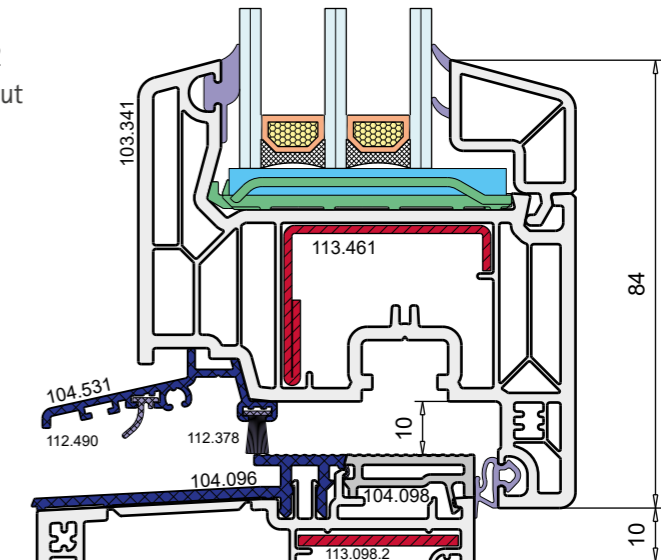
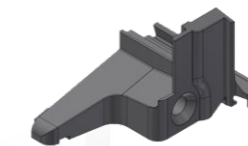
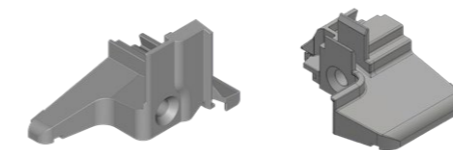
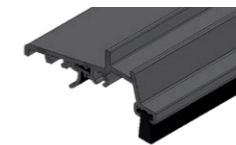
range. The 20 mm basic body needs to be underpinned with a system extension while, in the case of the 120 mm basic body, the kick plate can be screwed directly into the threshold from the front.



## Weather bar for 20/120 mm thresholds

### Weather bar 104.531

- For SOFTLINE 76 and SOFTLINE 82
- Downward drainage possible without working the weather bar
- Multiple receiving grooves for brush seals
- Colours: EV1, white and black



### End caps 109.282 and 109.129

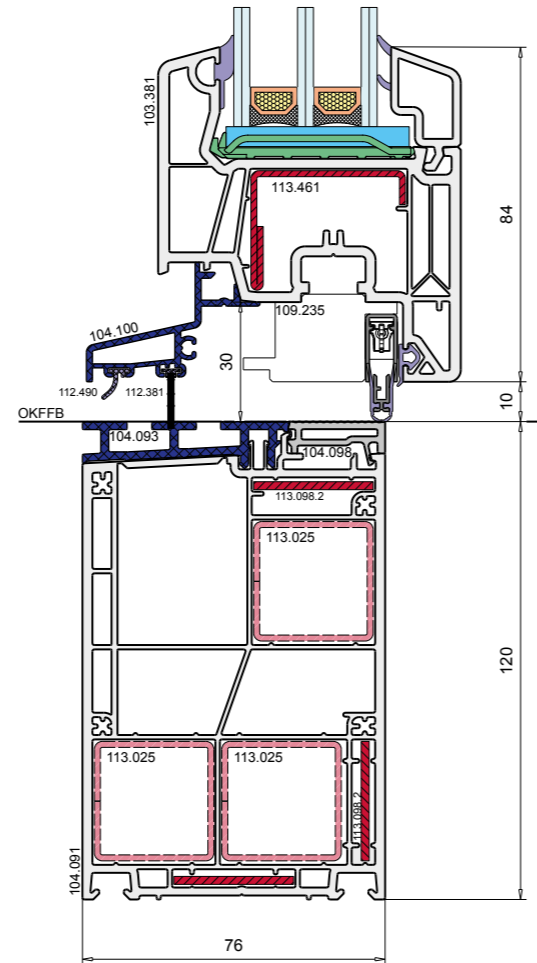
- Universal, including for sash-covering door panels as well as single- and two-sash French doors
- Colours: light grey, white and black

### End cap 109.329 for exterior aluminium panel

- Special end cap exclusively for exterior aluminium panel
- No working on end cap needed

## Barrier-free threshold

Increasing awareness of barrier-free building design is reflected not only in the wishes of home owners but also in the development of a body of standards. Regarding this aspect too, the VEKA threshold represents a future-oriented system solution: it allows thresholds which are entirely level with the floor to be realised on the basis of the 120 mm threshold with just a few additional components.

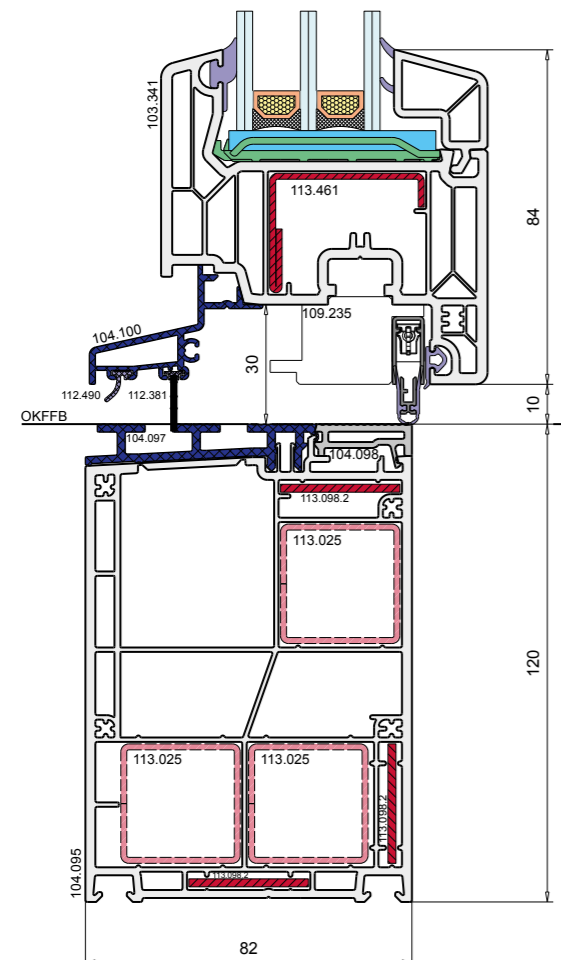


### Advantages at a glance

- No need for direct drainage via drainage channels
- Optimum airtightness and impermeability to driving rain
- Condensation prevented by continuation of the inner gasket groove
- Locking mechanism horizontal at the base for greater security
- Functional reliability thanks to the avoidance of protruding or moving components around the threshold
- Easy to clean (hygiene)
- Long-lasting due to tried and tested silicone drop-down seal

The barrier-free threshold offers further advantages in addition to efficient fabrication and the tried and tested VEKA quality. These include high airtightness and impermeability to driving rain as well as the universal tilt-and-turn hook locking mechanism for burglar resistance up to RC 2.

The VEKA threshold stands out as one of only a few solutions in the market that do away with direct drainage via drainage channels. At the same time, it offers a large number of drainage options, allowing the trades to be decoupled from one another and thereby significantly simplifying planning.



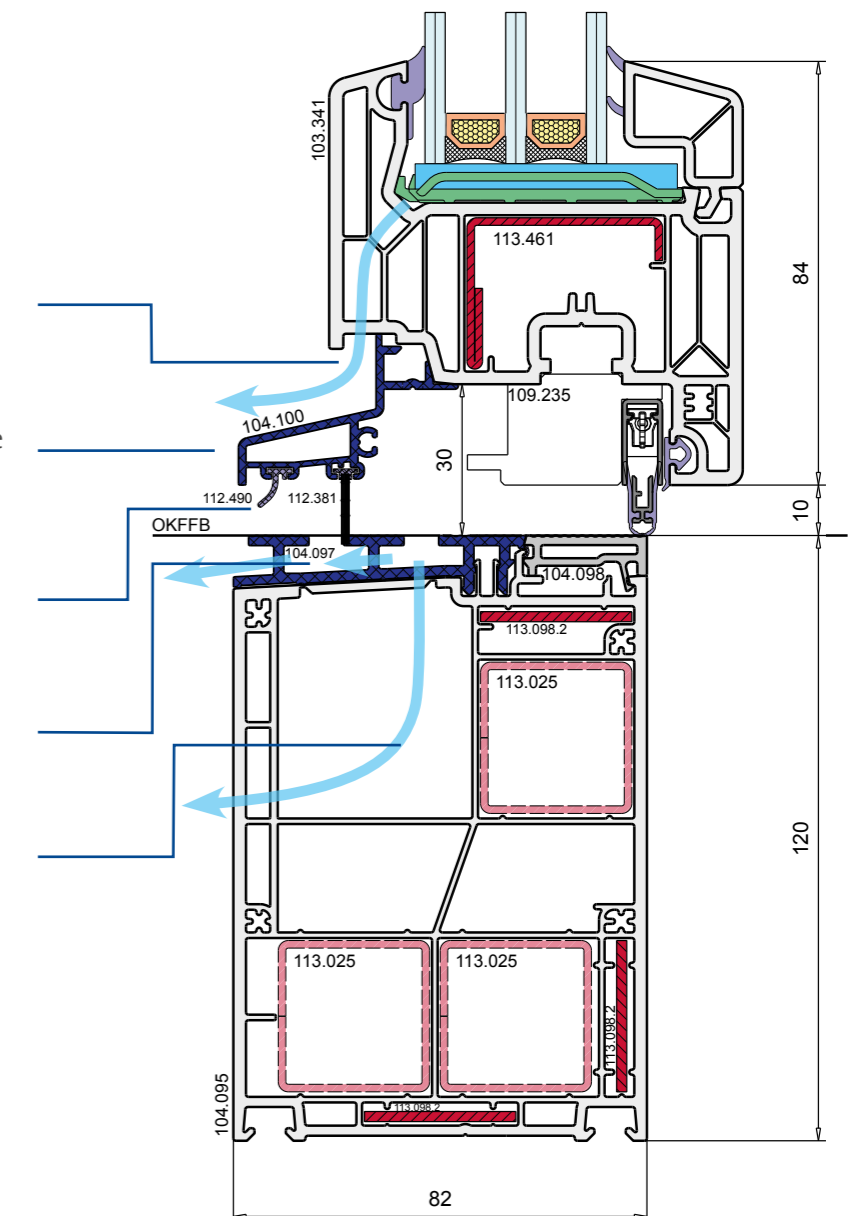
Sash drainage as with the 20 mm threshold

Aluminium weather bar with wide overhang for reliable water flow

Drip edge and seal as the first water barrier

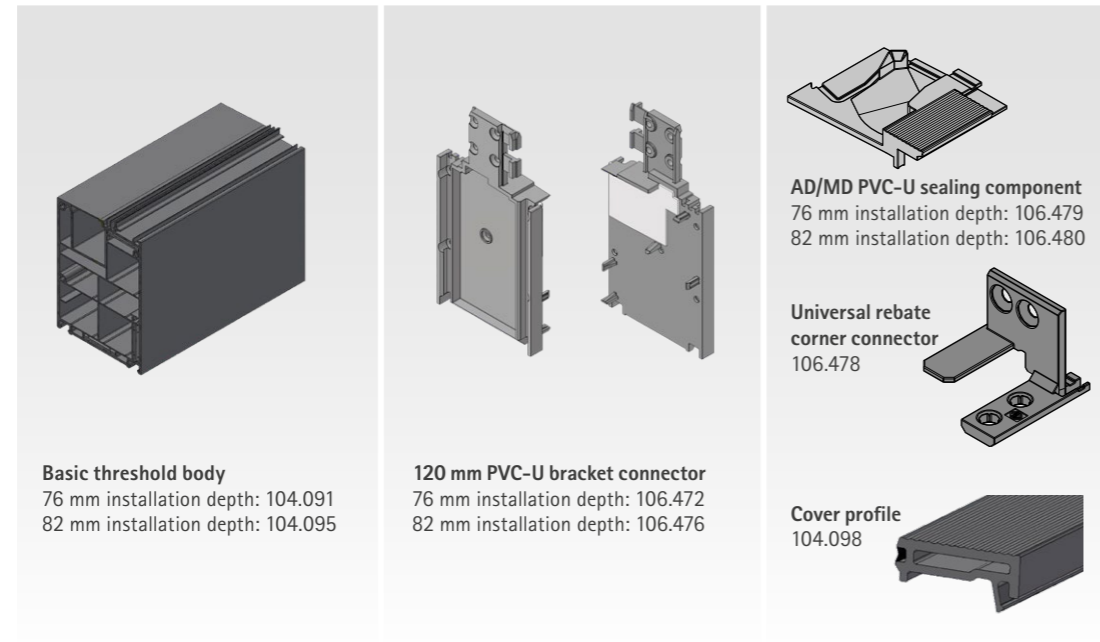
Choice of kick plate drainage to the front or downwards

Optional drainage to the front by means of a milled weep hole or drill hole

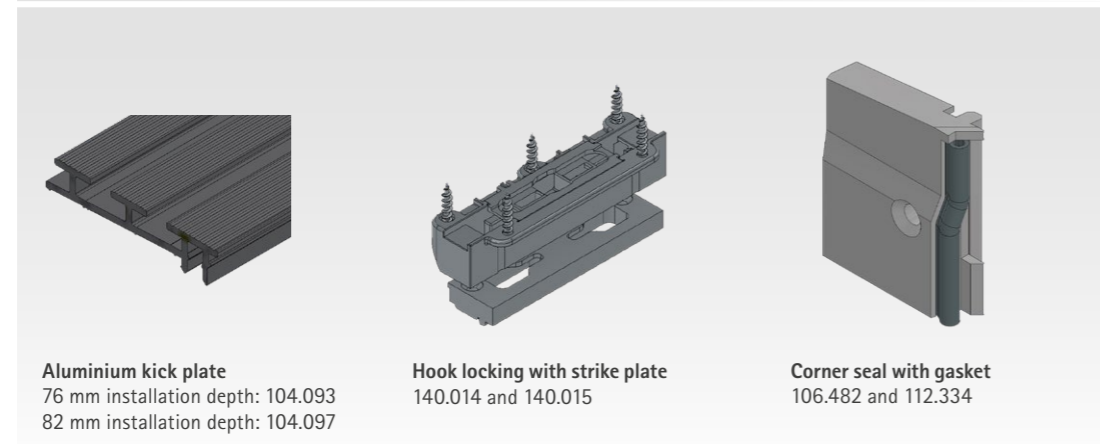


## The system solution for economical production

### Components for standard 120 mm thresholds



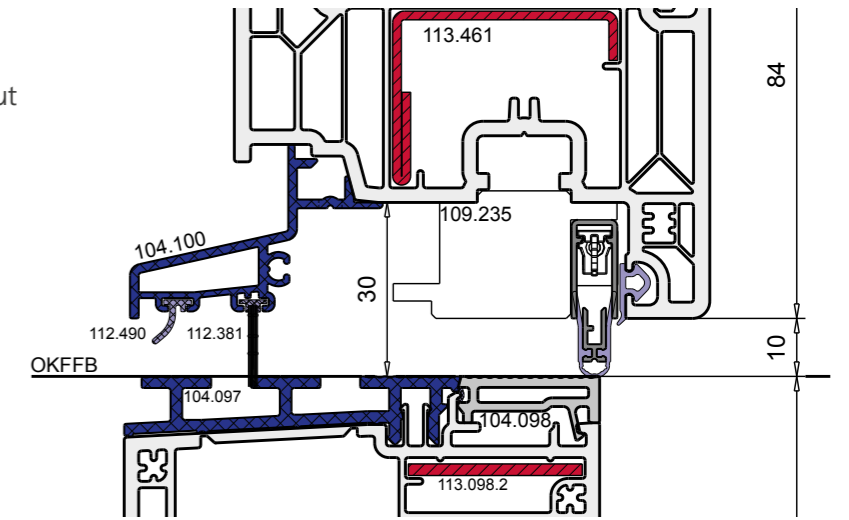
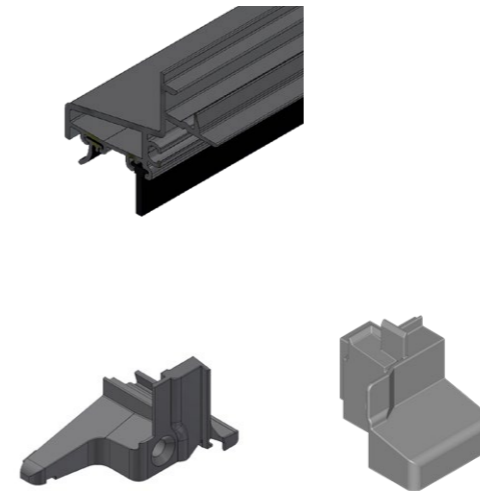
### Additional components for barrier-free thresholds



## Weather bar for the barrier-free threshold

### Weather bar 104.100

- For SOFTLINE 76 and SOFTLINE 82
- Downward drainage possible without machining the weatherboard
- Multiple receiving grooves for brush seals
- Colour: EV1



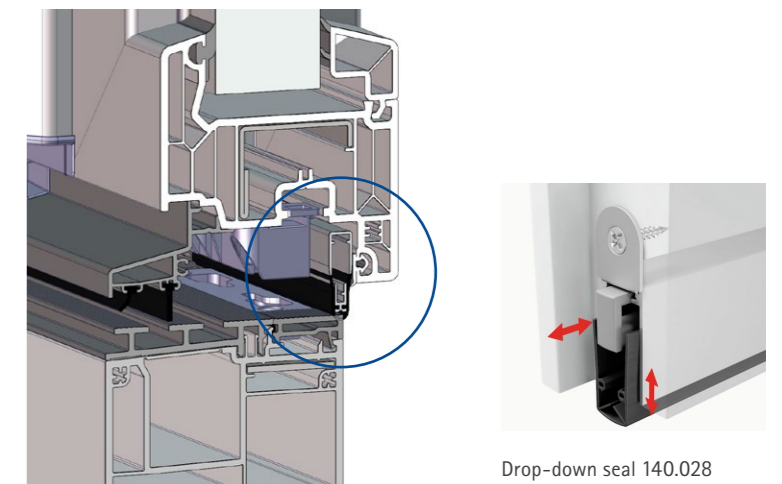
### End caps 109.236 and 109.237

- Universal, including for sash-covering door panels as well as single- and two-sash French doors
- Colour: light grey

## Drop-down seal

In the case of doors with a barrier-free threshold, a tried and tested drop-down seal extends the sash's lower rebate seal for reliable sealing against the threshold cover. Continuation of the inner gasket groove results in favourable isothermal progression, thereby preventing the formation of condensation.

- For SOFTLINE 76 and SOFTLINE 82
- Parallel drop-down
- Levelling of up to 3 mm in the case of sloping floors
- Attachment with holder in the sash rebate
- Slide trigger on one side, can be adjusted without tools
- Can be shortened by 125 mm



Drop-down seal 140.028

## High-quality moveable mullion solution

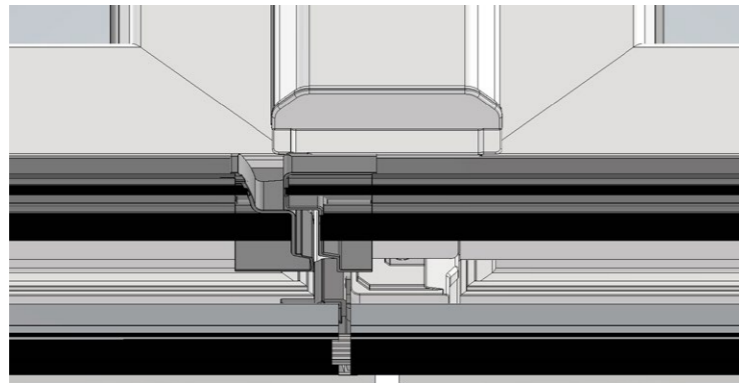
The VEKA threshold system solution allows French doors to be produced that also meet high-end expectations thanks to their high level of imperviousness and harmonious looks. It also includes numerous carefully conceived details such as silicone sealing components that create a connection between the drop-down seals in the active and inactive sash and form an airtight overlap when the sashes are closed.

### Interior moveable mullion solution

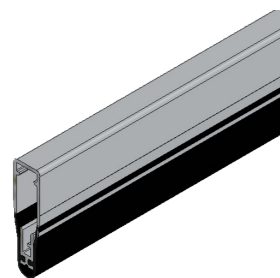
- Extension of the drop-down seal in the middle section with silicone sealing components
- Sealing component overlap for airtightness
- Sealing components rise and fall with the drop-down seals
- Extended drop-down seal on the moveable mullion sash for simpler sealing

### Exterior moveable mullion solution

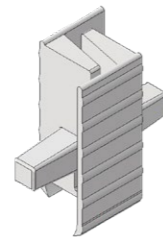
- End caps as with weather bar 104.531
- Labyrinth of drip seals and brushes as the first water barrier



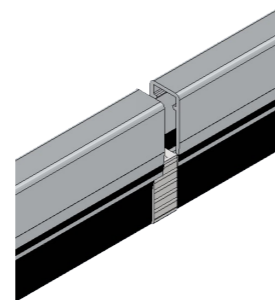
Mullion solution for barrier-free threshold



Drop-down seal  
140.028



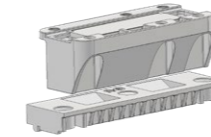
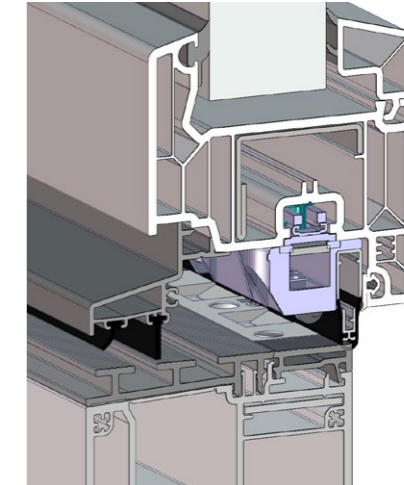
Drop-down seal – sealing component  
140.029



### Magnetic locking of the inactive sash

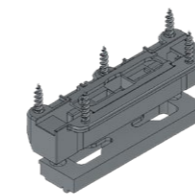
To make it easier to lock the inactive sash on French doors, a magnetic locking mechanism can be installed as a replacement for the missing lower sash rebate.

- For SOFTLINE 76 and SOFTLINE 82
- Not fitting-specific and freely positionable
- No milling necessary



Locking of moveable mullion sash to frame component  
140.044 and 140.045

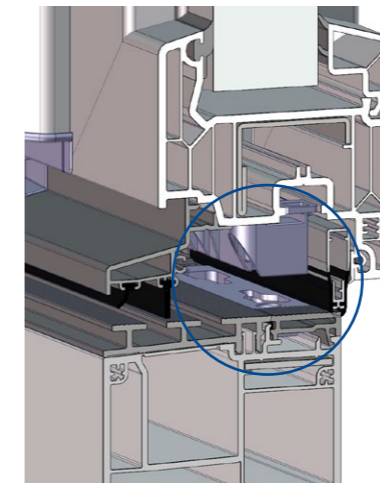
## Tilt-and-turn locking mechanism



Hook locking with strike plate  
140.014

For additional security, the sash is connected to the threshold with the universal hook locking, which can be incorporated multiple times if needed. In this state, it can still be placed in the tilted position.

- For SOFTLINE 76 and SOFTLINE 82
- For universal use with any fitting
- No working on the threshold and sash needed
- Screw connection to the side of the fitting groove
- Burglar resistance up to RC 2





## **VEKA AG**

Ein Unternehmen der Laumann Gruppe

Dieselstraße 8

D-48324 Sendenhorst

Telefon +49 2526 29-0

info@veka.com

**www.veka.de**

### **VEKA quality – the strong promise**

As the world market leader of innovative window and door systems made of PVC-U, VEKA can look back on more than 50 years of success.

This success is founded on high profile quality and a comprehensive partner concept: VEKA offers all fabricators a unique and wide range of systems as well as surface varieties and guarantees reliable delivery.

In addition, VEKA partners benefit from comprehensive services for efficient fabrication and effective support in sales and marketing. This is how we guarantee joint success.



**The Quality Profile**

